

PIPE CLAMPS **METAL DIN SERIES**

PIPE CLAMPS
METAL DIN SERIES

139

CLAMP BODY STANDARD MATERIALS



Carbon Steel S 235 JR
Code G



Galvanized Hexavalent Chromium-free Steel S 235 JR
Code Z



Stainless Steel AISI 304
Code A2



Stainless Steel AISI 316L
Code A4

DIFFERENT DAMETERS AVAILABLE ON REQUEST.

For Material Characteristics, see Technical Appendix (page 147).

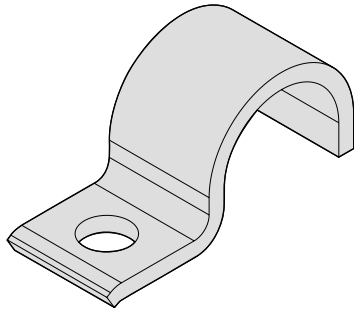




DIN 1592

HEAVY SADDLE

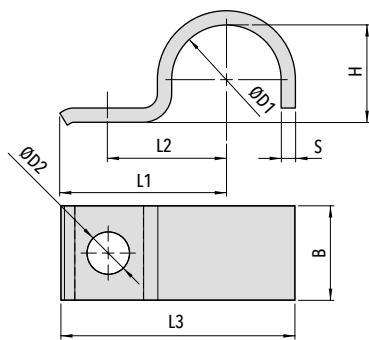
PIPE CLAMPS
METAL DIN SERIES



Code ØD1	Diameter Range	ØD2	L1	L2	L3	H	B	S
7	5,5-7 (.22"- .28")	6,6 (.26")	22 (.87")	14 (.55")	27,5 (1.08")	5 (.20")	16 (.63")	2 (.08")
9	7-9 (.28"- .35")	6,6 (.26")	27 (1.06")	18 (.71")	33,5 (1.32")	6 (.24")	20 (.79")	2 (.08")
13	9,5-13 (.39"- .51")	11 (.43")	40 (1.57")	25 (.98")	49,5 (1.95")	9 (.35")	25 (.98")	3 (.12")
15,5	13-15,5 (.51"- .61")	11 (.43")	41 (1.61")	26 (1.02")	52 (2.05")	12 (.47")	25 (.98")	3 (.12")
19	15,5-19 (.61"- .75")	11 (.43")	43 (1.69")	28 (1.10")	55,5 (2.19")	15 (.59")	25 (.98")	3 (.12")
23	20-23 (.79"- .91")	14 (.55")	51 (2.01")	35 (1.38")	67 (2.64")	19 (.75")	30 (1.18")	5 (.20")
26	23-26 (.91"- 1.02")	14 (.55")	52 (2.05")	36 (1.42")	70 (2.76")	22 (.87")	30 (1.18")	5 (.20")
28,5	26-28,5 (1.02"- 1.12")	14 (.55")	53 (2.09")	37 (1.46")	73 (2.87")	24 (.94")	30 (1.18")	5 (.20")
31	28,5-31 (1.12"- 1.22")	14 (.55")	55 (2.17")	39 (1.54")	75,5 (2.97")	27 (1.06")	30 (1.18")	5 (.20")
36	33-36 (1.30"- 1.42")	14 (.55")	57 (2.24")	41 (1.61")	81 (3.19")	32 (1.26")	40 (1.57")	5 (.20")
39	36-39 (1.42"- 1.54")	14 (.55")	59 (2.32")	43 (1.69")	83,5 (3.29")	34 (1.34")	40 (1.57")	5 (.20")
43	39-43 (1.54"- 1.69")	14 (.71")	68 (2.68")	48 (1.89")	94,5 (3.72")	38 (1.50")	40 (1.57")	5 (.20")
46	43-46 (1.69"- 1.81")	18 (.71")	70 (2.76")	50 (1.97")	98 (3.86")	41 (1.61")	40 (1.57")	5 (.20")
49	46-49 (1.81"- 1.93")	18 (.71")	73 (2.87")	53 (2.09")	105,5 (4.15")	44 (1.73")	40 (1.57")	8 (.31")
52	49-52 (1.93"- 2.05")	18 (.71")	76 (2.99")	56 (2.20")	110 (4.33")	47 (1.85")	40 (1.57")	8 (.31")
58	53-58 (2.09"- 2.28")	18 (.71")	76 (3.07")	58 (2.28")	115 (4.53")	52 (2.05")	40 (1.57")	8 (.31")
61	58-61 (2.28"- 2.40")	18 (.71")	80 (3.15")	60 (2.36")	118,5 (4.67")	57 (2.24")	40 (1.57")	8 (.31")

140

Code DIN 1592 (Material G - Z - A2 - A4)

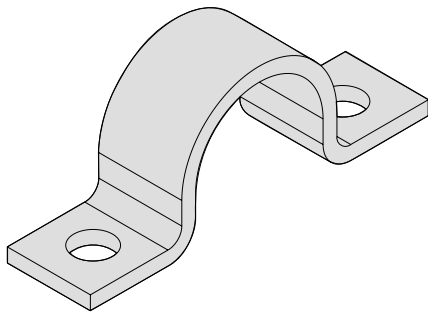


ORDER EXAMPLE
DIN 1592 - 36 - Z



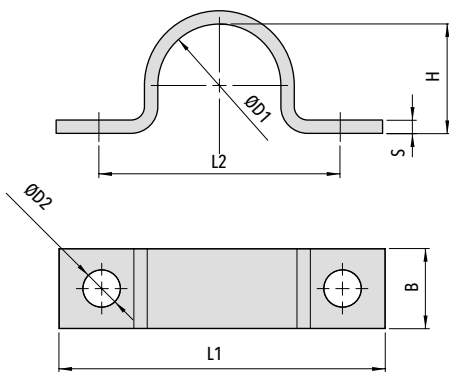
DIN 1593

HEAVY SADDLE



Code DIN 1593 (Material G - Z - A2 - A4)

Code ØD1	Diameter Range	ØD2	L1	L2	H	B	S
7	5,5-7 (.22"- .28")	6,6 (.26")	44 (1.73")	28 (1.10")	5 (.20")	16 (.63")	2 (.08")
9	7-9 (.28"- .35")	6,6 (.26")	48 (1.89")	32 (1.26")	6 (.24")	20 (.79")	2 (.08")
13	9,5-13 (.39"- .51")	6,6 (.26")	52 (2.05")	36 (1.42")	9 (.35")	20 (.79")	2 (.08")
15,5	13-15,5 (.51"- .61")	6,6 (.26")	56 (2.20")	40 (1.57")	12 (.47")	20 (.79")	2 (.08")
19	15,5-19 (.61"- .75")	6,6 (.26")	60 (2.36")	44 (1.73")	15 (.59")	20 (.79")	2 (.08")
23	20-23 (.79"- .91")	11 (.43")	82 (3.23")	56 (2.20")	19 (.75")	25 (.98")	3 (.12")
26	23-26 (.91"- 1.02")	11 (.43")	84 (3.31")	58 (2.28")	22 (.87")	25 (.98")	3 (.12")
28,5	26-28,5 (1.02"- 1.12")	11 (.43")	90 (3.54")	64 (2.52")	24 (.94")	25 (.98")	3 (.12")
31	28,5-31 (1.12"- 1.22")	11 (.43")	90 (3.54")	64 (2.52")	27 (1.06")	25 (.98")	3 (.12")
36	33-36 (1.30"- 1.42")	11 (.43")	106 (4.17")	80 (3.15")	32 (1.26")	30 (1.18")	5 (.20")
39	36-39 (1.42"- 1.54")	11 (.43")	110 (4.33")	84 (3.31")	34 (1.34")	30 (1.18")	5 (.20")
43	39-43 (1.54"- 1.69")	14 (.55")	120 (4.72")	88 (3.46")	38 (1.50")	30 (1.18")	5 (.20")
46	43-46 (1.69"- 1.81")	14 (.55")	122 (4.80")	90 (3.54")	41 (1.61")	30 (1.18")	5 (.20")
49	46-49 (1.81"- 1.93")	14 (.55")	122 (4.80")	90 (3.54")	44 (1.73")	30 (1.18")	5 (.20")
58	53-58 (2.09"- 2.28")	14 (.55")	142 (5.59")	110 (4.33")	52 (2.05")	40 (1.57")	5 (.20")
61	58-61 (2.28"- 2.40")	14 (.55")	142 (5.59")	110 (4.33")	57 (2.24")	40 (1.57")	5 (.20")
71	67-71 (2.64"- 2.80")	14 (.55")	152 (5.98")	120 (4.72")	66 (2.60")	40 (1.57")	5 (.20")
77	73-77 (2.87"- 3.03")	14 (.55")	176 (6.93")	136 (5.35")	72 (2.83")	40 (1.57")	5 (.20")
81	77-81 (3.03"- 3.19")	18 (.71")	184 (7.24")	144 (5.67")	76 (2.99")	40 (1.57")	5 (.20")
91	86-91 (3.39"- 3.58")	18 (.71")	198 (7.80")	158 (6.22")	85 (3.35")	40 (1.57")	8 (.31")
103	99-103 (3.90"- 4.06")	18 (.71")	214 (8.43")	174 (6.85")	98 (3.86")	40 (1.57")	8 (.31")
109	105-109 (4.13"- 4.29")	18 (.71")	220 (8.66")	180 (7.09")	104 (4.09")	40 (1.57")	8 (.31")
115	110-115 (4.33"- 4.53")	18 (.71")	226 (8.90")	186 (7.32")	109 (4.29")	40 (1.57")	8 (.31")



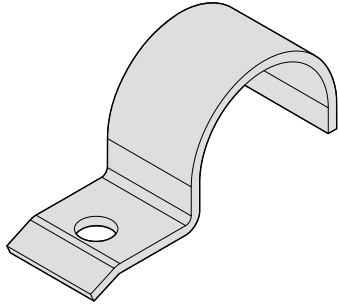
ORDER EXAMPLE

DIN 1593 - 26 - G



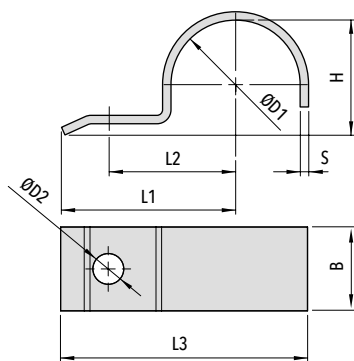
DIN 1596

LIGHT SADDLE



Code ØD1	Diameter Range	ØD2	L1	L2	L3	H	B	S
7	5,5-7 (.22"- .28")	6,6 (.26")	26 (1.02")	14 (.55")	31,5 (1.24")	5 (.20")	16 (.63")	2 (.08")
9	7-9 (.28"- .35")	6,6 (.26")	28 (1.10")	16 (.63")	34,5 (1.36")	6 (.24")	16 (.63")	2 (.08")
13	9,5-13 (.39"- .51")	6,6 (.26")	30 (1.18")	18 (.71")	38,5 (1.52")	9 (.35")	20 (.79")	2 (.08")
15,5	13-15,5 (.51"- .61")	6,6 (.26")	32 (1.26")	20 (.79")	41,75 (1.64")	12 (.47")	20 (.79")	2 (.08")
19	15,5-19 (.61"- .75")	6,6 (.26")	34 (1.34")	22 (.87")	45,5 (1.79")	15 (.59")	20 (.79")	2 (.08")
23	20-23 (.79"- .91")	9 (.35")	43 (1.69")	28 (1.10")	57,5 (2.26")	19 (.75")	25 (.98")	3 (.12")
26	23-26 (.91"- 1.02")	9 (.35")	44 (1.73")	29 (1.14")	60 (2.36")	22 (.87")	25 (.98")	3 (.12")
28,5	26-28,5 (1.02"- 1.12")	9 (.35")	47 (1.85")	32 (1.26")	64,25 (2.53")	24 (.94")	25 (.98")	3 (.12")
31	28,5-31 (1.12"- 1.22")	9 (.35")	47 (1.85")	32 (1.26")	65,5 (2.58")	27 (1.06")	25 (.98")	3 (.12")
33	31-33 (1.22"- 1.30")	9 (.35")	56 (2.20")	36 (1.42")	75,5 (2.97")	29 (1.14")	25 (.98")	3 (.12")
36	33-36 (1.30"- 1.42")	11 (.43")	57 (2.24")	40 (1.57")	78 (3.07")	32 (1.26")	30 (1.18")	3 (.12")
39	36-39 (1.42"- 1.54")	11 (.43")	59 (2.32")	42 (1.65")	81,5 (3.21")	34 (1.34")	30 (1.18")	3 (.12")
43	39-43 (1.54"- 1.69")	11 (.43")	61 (2.40")	44 (1.73")	85,5 (3.37")	38 (1.50")	30 (1.18")	3 (.12")
46	43-46 (1.69"- 1.81")	11 (.43")	62 (2.44")	45 (1.77")	88 (3.46")	41 (1.61")	30 (1.18")	3 (.12")
49	46-49 (1.81"- 1.93")	14 (.55")	67 (2.64")	48 (1.89")	95,5 (3.76")	44 (1.73")	40 (1.57")	4 (.16")
52	49-52 (1.93"- 2.05")	14 (.55")	72 (2.83")	53 (2.09")	102 (4.02")	47 (1.85")	40 (1.57")	4 (.16")
58	53-58 (2.09"- 2.28")	14 (.55")	74 (2.99")	55 (2.17")	107 (4.21")	52 (2.05")	40 (1.57")	4 (.16")
61	58-61 (2.28"- 2.40")	14 (.55")	77 (3.03")	58 (2.28")	111,5 (4.39")	56 (2.20")	40 (1.57")	4 (.16")

Code DIN 1596 (Material G - Z - A2 - A4)

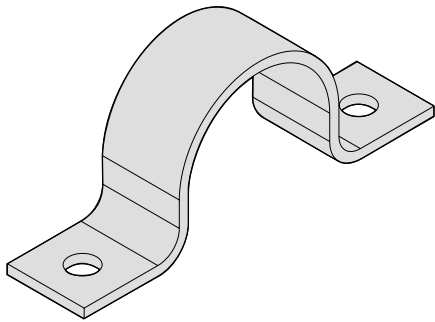


ORDER EXAMPLE
DIN 1596 - 28,5 - A2

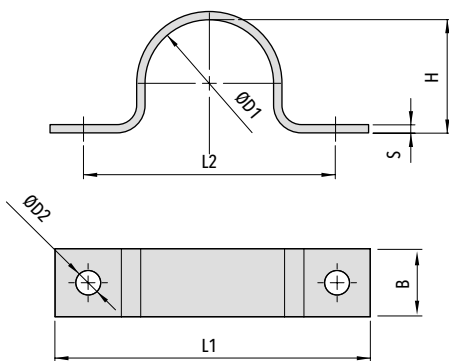


DIN 1597

LIGHT SADDLE



Code DIN 1597 (Material G - Z - A2 - A4)



Code ØD1	Diameter Range	ØD2	L1	L2	H	B	S
7	5,5-7 (.22"- .28")	5,5 (.22")	44 (1.73")	28 (1.10")	5 (.20")	16 (.63")	1,5 (.06")
9	7-9 (.28"- .35")	5,5 (.22")	48 (1.89")	32 (1.26")	6 (.24")	16 (.63")	1,5 (.06")
13	9,5-13 (.39"- .51")	5,5 (.22")	52 (2.05")	36 (1.42")	9 (.35")	16 (.63")	1,5 (.06")
15,5	13-15,5 (.51"- .61")	5,5 (.22")	56 (2.20")	40 (1.57")	12 (.47")	16 (.63")	1,5 (.06")
19	15,5-19 (.61"- .75")	5,5 (.22")	60 (2.36")	44 (1.73")	15 (.59")	16 (.63")	1,5 (.06")
23	20-23 (.79"- .91")	6,6 (.26")	76 (2.99")	56 (2.20")	19 (.75")	20 (.79")	2 (.08")
26	23-26 (.91"- 1.02")	6,6 (.26")	78 (3.07")	58 (2.28")	22 (.87")	20 (.79")	2 (.08")
28,5	26-28,5 (1.02"- 1.12")	6,6 (.26")	84 (3.31")	64 (2.52")	24 (.94")	20 (.79")	2 (.08")
31	28,5-31 (1.12"- 1.22")	6,6 (.26")	84 (3.31")	64 (2.52")	27 (1.06")	20 (.79")	2 (.08")
33	31-33 (1.22"- 1.30")	6,6 (.26")	92 (3.62")	72 (2.83")	29 (1.14")	20 (.79")	2 (.08")
36	33-36 (1.30"- 1.42")	9 (.35")	104 (4.09")	80 (3.15")	32 (1.26")	25 (.98")	3 (.12")
39	36-39 (1.42"- 1.54")	9 (.35")	108 (4.25")	84 (3.31")	34 (1.34")	25 (.98")	3 (.12")
43	39-43 (1.54"- 1.69")	9 (.35")	112 (4.41")	88 (3.46")	38 (1.50")	25 (.98")	3 (.12")
46	43-46 (1.69"- 1.81")	9 (.35")	114 (4.49")	90 (3.54")	41 (1.61")	25 (.98")	3 (.12")
49	46-49 (1.81"- 1.93")	11 (.43")	118 (4.65")	90 (3.54")	44 (1.73")	30 (1.18")	3 (.12")
52	49-52 (1.93"- 2.05")	11 (.43")	134 (5.28")	106 (4.17")	47 (1.85")	30 (1.18")	3 (.12")
58	53-58 (2.09"- 2.28")	11 (.43")	138 (5.43")	110 (4.33")	52 (2.05")	30 (1.18")	3 (.12")
61	58-61 (2.28"- 2.40")	11 (.43")	138 (5.43")	110 (4.33")	56 (2.20")	30 (1.18")	3 (.12")

ORDER EXAMPLE

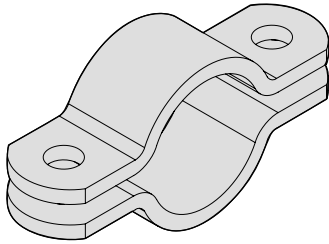
DIN 1597 - 15,5 - A4



DIN 3567-A

METAL PIPE CLAMP

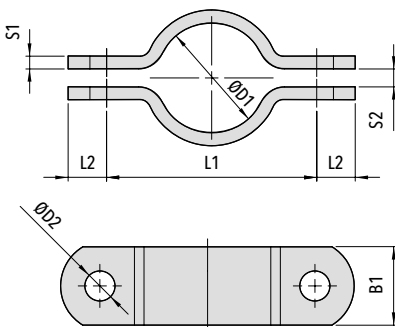
(TWO CLAMP HALVES)



TYPE 20 TO 521

Code ØD1	Outside Diameter		L1	L2	S1	S2	ØD2	B1	Bolt + Nut
	mm	in							
20	15	1/2"	57 (2.24")	15 (.59")	5 (.20")	7 (.28")	11,5 (.45")	30 (1.18")	M10x30 (3/8-16 UNCx1-1/4") M10 (3/8-16 UNC)
22	15	1/2"	59 (2.32")	15 (.59")	5 (.20")	7 (.28")	11,5 (.45")	30 (1.18")	
25	20	3/4"	62 (2.44")	15 (.59")	5 (.20")	7 (.28")	11,5 (.45")	30 (1.18")	
27	20	3/4"	66 (2.60")	15 (.59")	5 (.20")	7 (.28")	11,5 (.45")	30 (1.18")	
30	25	1"	68 (2.68")	15 (.59")	5 (.20")	7 (.28")	11,5 (.45")	30 (1.18")	
34	25	1"	72 (2.83")	15 (.59")	5 (.20")	7 (.28")	11,5 (.45")	30 (1.18")	
38	32	1.1/4"	76 (2.99")	15 (.59")	5 (.20")	7 (.28")	11,5 (.45")	30 (1.18")	
43	32	1.1/4"	82 (3.23")	15 (.59")	5 (.20")	7 (.28")	11,5 (.45")	30 (1.18")	
45	40	1.1/2"	84 (3.31")	15 (.59")	5 (.20")	7 (.28")	11,5 (.45")	30 (1.18")	
49	40	1.1/2"	88 (3.46")	15 (.59")	5 (.20")	7 (.28")	11,5 (.45")	30 (1.18")	
57	50	2"	104 (4.09")	18 (.71")	6 (.24")	9 (.35")	14 (.55")	40 (1.57")	M12x35 (7/16-14 UNCx1-3/8") M12 (7/16-14 UNC)
61	50	2"	108 (4.25")	18 (.71")	6 (.24")	9 (.35")	14 (.55")	40 (1.57")	
77	65	2.1/2"	122 (4.80")	18 (.71")	6 (.24")	9 (.35")	14 (.55")	40 (1.57")	
89	80	3"	136 (5.35")	18 (.71")	6 (.24")	9 (.35")	14 (.55")	40 (1.57")	
108	100	4"	172 (6.77")	24 (.94")	8 (.31")	11 (.43")	18 (.71")	50 (1.97")	
115	100	4"	178 (7.01")	24 (.94")	8 (.31")	11 (.43")	18 (.71")	50 (1.97")	
133	125	5"	196 (7.72")	24 (.94")	8 (.31")	11 (.43")	18 (.71")	50 (1.97")	M16x45 (5/8-11 UNCx1-3/4") M16 (5/8-11 UNC)
140	125	5"	204 (8.03")	24 (.94")	8 (.31")	11 (.43")	18 (.71")	50 (1.97")	
159	150	6"	222 (8.74")	24 (.94")	8 (.31")	11 (.43")	18 (.71")	50 (1.97")	
169	150	6"	232 (9.13")	24 (.94")	8 (.31")	11 (.43")	18 (.71")	50 (1.97")	
194	175	7"	258 (10.16")	24 (.94")	8 (.31")	11 (.43")	18 (.71")	50 (1.97")	
216	200	8"	280 (11.02")	24 (.94")	8 (.31")	11 (.43")	18 (.71")	50 (1.97")	
220	200	8"	284 (11.18")	24 (.94")	8 (.31")	11 (.43")	18 (.71")	50 (1.97")	
267	250	10"	342 (13.46")	30 (1.18")	8 (.31")	14 (.55")	23 (.91")	60 (2.36")	
273	250	10"	348 (13.70")	30 (1.18")	8 (.31")	14 (.55")	23 (.91")	60 (2.36")	
318	300	12"	392 (15.43")	30 (1.18")	8 (.31")	14 (.55")	23 (.91")	60 (2.36")	
324	300	12"	398 (15.67")	30 (1.18")	8 (.31")	14 (.55")	23 (.91")	60 (2.36")	
356	350	14"	432 (17")	30 (1.18")	8 (.31")	14 (.55")	23 (.91")	60 (2.36")	
368	350	14"	444 (17.48")	30 (1.18")	8 (.31")	14 (.55")	23 (.91")	60 (2.36")	
407	400	16"	498 (19.61")	36 (1.42")	10 (.39")	18 (.71")	27 (1.06")	70 (2.76")	
419	400	16"	510 (10.08")	36 (1.42")	10 (.39")	18 (.71")	27 (1.06")	70 (2.76")	
458	450	18"	550 (21.65")	36 (1.42")	10 (.39")	18 (.71")	27 (1.06")	70 (2.76")	M24x60 (7/8-9 UNCx2-3/8") M24 (7/8-9 UNC)
508	500	20"	600 (23.62")	36 (1.42")	10 (.39")	18 (.71")	27 (1.06")	70 (2.76")	
521	500	20"	614 (24.17")	36 (1.42")	10 (.39")	18 (.71")	27 (1.06")	70 (2.76")	

Code DIN 3567-A (Material G - Z - A2 - A4)



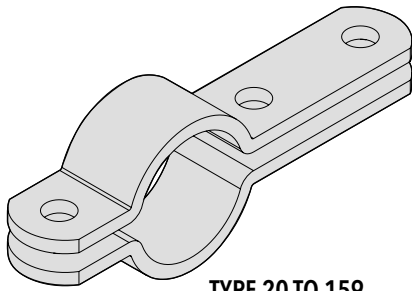
ORDER EXAMPLE

DIN 3567-A - 61 - G



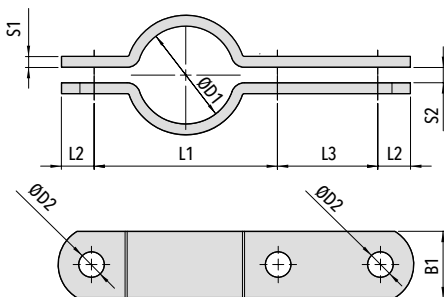
DIN 3567-B METAL PIPE CLAMP

(TWO CLAMP HALVES)



TYPE 20 TO 159

Code DIN 3567-B (Material G - Z - A2 - A4)



Code ØD1	Outside Diameter		L1	L2	L3	S1	S2	ØD2	B1	Bolt + Nut
	mm	in								
20	15	1/2"	57 (2.24")	15 (.59")	46 (1.81")	5 (.20")	7 (.28")	11,5 (.45")	30 (1.18")	M10x30 (3/8-16 UNCx1-1/4") M10 (3/8-16 UNC)
22	15	1/2"	59 (2.32")	15 (.59")	46 (1.81")	5 (.20")	7 (.28")	11,5 (.45")	30 (1.18")	
25	20	3/4"	62 (2.44")	15 (.59")	46 (1.81")	5 (.20")	7 (.28")	11,5 (.45")	30 (1.18")	
27	20	3/4"	66 (2.60")	15 (.59")	46 (1.81")	5 (.20")	7 (.28")	11,5 (.45")	30 (1.18")	
30	25	1"	68 (2.68")	15 (.59")	46 (1.81")	5 (.20")	7 (.28")	11,5 (.45")	30 (1.18")	
34	25	1"	72 (2.83")	15 (.59")	46 (1.81")	5 (.20")	7 (.28")	11,5 (.45")	30 (1.18")	
38	32	1.1/4"	76 (2.99")	15 (.59")	46 (1.81")	5 (.20")	7 (.28")	11,5 (.45")	30 (1.18")	
43	32	1.1/4"	82 (3.23")	15 (.59")	46 (1.81")	5 (.20")	7 (.28")	11,5 (.45")	30 (1.18")	
45	40	1.1/2"	84 (3.31")	15 (.59")	46 (1.81")	5 (.20")	7 (.28")	11,5 (.45")	30 (1.18")	
49	40	1.1/2"	88 (3.46")	15 (.59")	46 (1.81")	5 (.20")	7 (.28")	11,5 (.45")	30 (1.18")	
57	50	2"	104 (4.09")	18 (.71")	54 (2.13")	6 (.24")	9 (.35")	14 (.55")	40 (1.57")	M12x35 (7/16-14 UNCx1-3/8") M12 (7/16-14 UNC)
61	50	2"	108 (4.25")	18 (.71")	54 (2.13")	6 (.24")	9 (.35")	14 (.55")	40 (1.57")	
77	65	2.1/2"	122 (4.80")	18 (.71")	54 (2.13")	6 (.24")	9 (.35")	14 (.55")	40 (1.57")	
89	80	3"	136 (5.35")	18 (.71")	54 (2.13")	6 (.24")	9 (.35")	14 (.55")	40 (1.57")	
108	100	4"	172 (6.77")	24 (.94")	70 (2.76")	8 (.31")	11 (.43")	18 (.71")	50 (1.97")	
115	100	4"	178 (7.01")	24 (.94")	70 (2.76")	8 (.31")	11 (.43")	18 (.71")	50 (1.97")	M16x45 (5/8-11 UNCx1-3/4") M16 (5/8-11 UNC)
133	125	5"	196 (7.72")	24 (.94")	70 (2.76")	8 (.31")	11 (.43")	18 (.71")	50 (1.97")	
140	125	5"	204 (8.03")	24 (.94")	70 (2.76")	8 (.31")	11 (.43")	18 (.71")	50 (1.97")	
159	150	6"	222 (8.74")	24 (.94")	70 (2.76")	8 (.31")	11 (.43")	18 (.71")	50 (1.97")	
169	150	6"	232 (9.13")	24 (.94")	70 (2.76")	8 (.31")	11 (.43")	18 (.71")	50 (1.97")	
194	175	7"	258 (10.16")	24 (.94")	70 (2.76")	8 (.31")	11 (.43")	18 (.71")	50 (1.97")	
216	200	8"	280 (11.02")	24 (.94")	70 (2.76")	8 (.31")	11 (.43")	18 (.71")	50 (1.97")	
220	200	8"	284 (11.18")	24 (.94")	70 (2.76")	8 (.31")	11 (.43")	18 (.71")	50 (1.97")	M20x50 (3/4-10 UNCx2") M20 (3/4-10 UNC)
267	250	10"	342 (13.46")	30 (1.18")	86 (3.39")	8 (.31")	14 (.55")	23 (.91")	60 (2.36")	
273	250	10"	348 (13.70")	30 (1.18")	86 (3.39")	8 (.31")	14 (.55")	23 (.91")	60 (2.36")	
318	300	12"	392 (15.43")	30 (1.18")	86 (3.39")	8 (.31")	14 (.55")	23 (.91")	60 (2.36")	
324	300	12"	398 (15.67")	30 (1.18")	86 (3.39")	8 (.31")	14 (.55")	23 (.91")	60 (2.36")	
356	350	14"	432 (17")	30 (1.18")	86 (3.39")	8 (.31")	14 (.55")	23 (.91")	60 (2.36")	
368	350	14"	444 (17.48")	30 (1.18")	86 (3.39")	8 (.31")	14 (.55")	23 (.91")	60 (2.36")	M24x60 (7/8-9 UNCx2-3/8") M24 (7/8-9 UNC)
407	400	16"	498 (19.61")	36 (1.42")	104 (4.09")	10 (.39")	18 (.71")	27 (1.06")	70 (2.76")	
419	400	16"	510 (10.08")	36 (1.42")	104 (4.09")	10 (.39")	18 (.71")	27 (1.06")	70 (2.76")	
458	450	18"	550 (21.65")	36 (1.42")	104 (4.09")	10 (.39")	18 (.71")	27 (1.06")	70 (2.76")	
508	500	20"	600 (23.62")	36 (1.42")	104 (4.09")	10 (.39")	18 (.71")	27 (1.06")	70 (2.76")	
521	500	20"	614 (24.17")	36 (1.42")	104 (4.09")	10 (.39")	18 (.71")	27 (1.06")	70 (2.76")	

PIPE CLAMPS
METAL DIN SERIES

145

ORDER EXAMPLE

DIN 3567-B - 30 - Z