

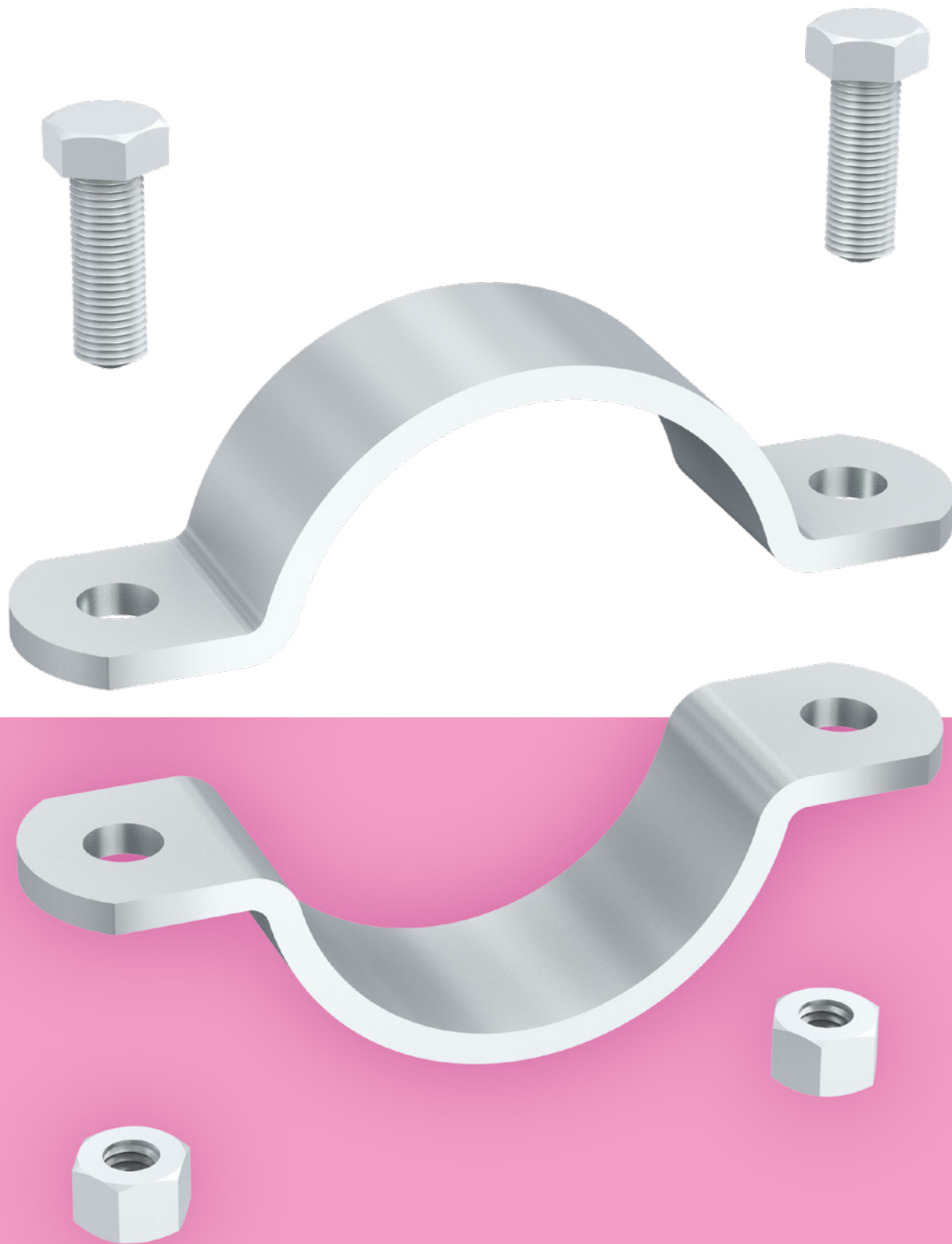


FASCETTE METALLICHE DIN

Dimensioni e Codici Ordinazione (mm/in)

FASCETTE METALLICHE DIN

138





FASCETTE METALLICHE DIN

139

MATERIALI STANDARD DEL CORPO COLLARE



Acciaio S 235 JR
Codice G



Acciaio S 235 JR con Zincatura Bianca Esivalente
Codice Z



Acciaio Inox AISI 304
Codice A2



Acciaio Inox AISI 316L
Codice A4

DIVERSI DIAMETRI DISPONIBILI A RICHIESTA.

Per le caratteristiche dei Materiali vedi l'Appendice Tecnica
(pag. 147)





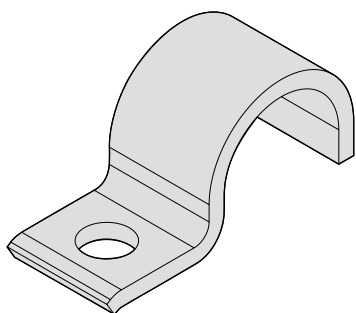
FASCETTE METALLICHE DIN

Dimensioni e Codici Ordinazione (mm/in)

DIN 1592

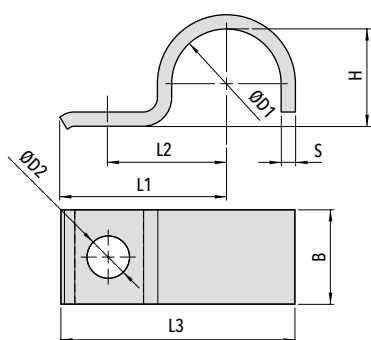
FASCETTA PESANTE

FASCETTE METALLICHE DIN



140

Codice DIN 1592 (Materiale G - Z - A2 - A4)



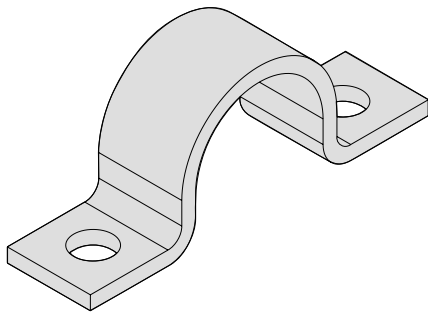
ESEMPIO ORDINAZIONE
DIN 1592 - 36 - Z

| Codice ØD1 | Gamma diametri | ØD2 | L1 | L2 | L3 | H | B | S |
|---------------|---------------------------|---------------|---------------|---------------|------------------|---------------|---------------|-------------|
| 7 | 5,5-7 (.22"- .28") | 6,6 (.26") | 22 (.87") | 14 (.55") | 27,5 (1.08") | 5 (.20") | 16 (.63") | 2 (.08") |
| 9 | 7-9 (.28"- .35") | 6,6 (.26") | 27 (1.06") | 18 (.71") | 33,5 (1.32") | 6 (.24") | 20 (.79") | 2 (.08") |
| 13 | 9,5-13 (.39"- .51") | 11 (.43") | 40 (1.57") | 25 (.98") | 49,5 (1.95") | 9 (.35") | 25 (.98") | 3 (.12") |
| 15,5 | 13-15,5 (.51"- .61") | 11 (.43") | 41 (1.61") | 26 (1.02") | 52 (2.05") | 12 (.47") | 25 (.98") | 3 (.12") |
| 19 | 15,5-19 (.61"- .75") | 11 (.43") | 43 (1.69") | 28 (1.10") | 55,5 (2.19") | 15 (.59") | 25 (.98") | 3 (.12") |
| 23 | 20-23 (.79"- .91") | 14 (.55") | 51 (2.01") | 35 (1.38") | 67 (2.64") | 19 (.75") | 30 (1.18") | 5 (.20") |
| 26 | 23-26 (.91"- 1.02") | 14 (.55") | 52 (2.05") | 36 (1.42") | 70 (2.76") | 22 (.87") | 30 (1.18") | 5 (.20") |
| 28,5 | 26-28,5 (1.02"- 1.12") | 14 (.55") | 53 (2.09") | 37 (1.46") | 73 (2.87") | 24 (.94") | 30 (1.18") | 5 (.20") |
| 31 | 28,5-31 (1.12"- 1.22") | 14 (.55") | 55 (2.17") | 39 (1.54") | 75,5 (2.97") | 27 (1.06") | 30 (1.18") | 5 (.20") |
| 36 | 33-36 (1.30"- 1.42") | 14 (.55") | 57 (2.24") | 41 (1.61") | 81 (3.19") | 32 (1.26") | 40 (1.57") | 5 (.20") |
| 39 | 36-39 (1.42"- 1.54") | 14 (.55") | 59 (2.32") | 43 (1.69") | 83,5 (3.29") | 34 (1.34") | 40 (1.57") | 5 (.20") |
| 43 | 39-43 (1.54"- 1.69") | 14 (.71") | 68 (2.68") | 48 (1.89") | 94,5 (3.72") | 38 (1.50") | 40 (1.57") | 5 (.20") |
| 46 | 43-46 (1.69"- 1.81") | 18 (.71") | 70 (2.76") | 50 (1.97") | 98 (3.86") | 41 (1.61") | 40 (1.57") | 5 (.20") |
| 49 | 46-49 (1.81"- 1.93") | 18 (.71") | 73 (2.87") | 53 (2.09") | 105,5 (4.15") | 44 (1.73") | 40 (1.57") | 8 (.31") |
| 52 | 49-52 (1.93"- 2.05") | 18 (.71") | 76 (2.99") | 56 (2.20") | 110 (4.33") | 47 (1.85") | 40 (1.57") | 8 (.31") |
| 58 | 53-58 (2.09"- 2.28") | 18 (.71") | 76 (3.07") | 58 (2.28") | 115 (4.53") | 52 (2.05") | 40 (1.57") | 8 (.31") |
| 61 | 58-61 (2.28"- 2.40") | 18 (.71") | 80 (3.15") | 60 (2.36") | 118,5 (4.67") | 57 (2.24") | 40 (1.57") | 8 (.31") |



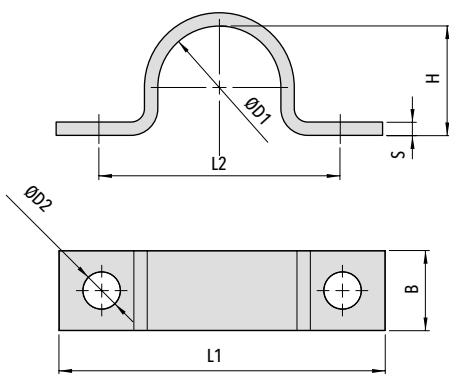
DIN 1593

FASCETTA PESANTE



Codice DIN 1593 (Materiale G - Z - A2 - A4)

| Codice ØD1 | Gamma diametri | ØD2 | L1 | L2 | H | B | S |
|---------------|---------------------------|---------------|----------------|----------------|----------------|---------------|-------------|
| 7 | 5,5-7 (.22"- .28") | 6,6 (.26") | 44 (1.73") | 28 (1.10") | 5 (.20") | 16 (.63") | 2 (.08") |
| 9 | 7-9 (.28"- .35") | 6,6 (.26") | 48 (1.89") | 32 (1.26") | 6 (.24") | 20 (.79") | 2 (.08") |
| 13 | 9,5-13 (.39"- .51") | 6,6 (.26") | 52 (2.05") | 36 (1.42") | 9 (.35") | 20 (.79") | 2 (.08") |
| 15,5 | 13-15,5 (.51"- .61") | 6,6 (.26") | 56 (2.20") | 40 (1.57") | 12 (.47") | 20 (.79") | 2 (.08") |
| 19 | 15,5-19 (.61"- .75") | 6,6 (.26") | 60 (2.36") | 44 (1.73") | 15 (.59") | 20 (.79") | 2 (.08") |
| 23 | 20-23 (.79"- .91") | 11 (.43") | 82 (3.23") | 56 (2.20") | 19 (.75") | 25 (.98") | 3 (.12") |
| 26 | 23-26 (.91"- 1.02") | 11 (.43") | 84 (3.31") | 58 (2.28") | 22 (.87") | 25 (.98") | 3 (.12") |
| 28,5 | 26-28,5 (1.02"- 1.12") | 11 (.43") | 90 (3.54") | 64 (2.52") | 24 (.94") | 25 (.98") | 3 (.12") |
| 31 | 28,5-31 (1.12"- 1.22") | 11 (.43") | 90 (3.54") | 64 (2.52") | 27 (1.06") | 25 (.98") | 3 (.12") |
| 36 | 33-36 (1.30"- 1.42") | 11 (.43") | 106 (4.17") | 80 (3.15") | 32 (1.26") | 30 (1.18") | 5 (.20") |
| 39 | 36-39 (1.42"- 1.54") | 11 (.43") | 110 (4.33") | 84 (3.31") | 34 (1.34") | 30 (1.18") | 5 (.20") |
| 43 | 39-43 (1.54"- 1.69") | 14 (.55") | 120 (4.72") | 88 (3.46") | 38 (1.50") | 30 (1.18") | 5 (.20") |
| 46 | 43-46 (1.69"- 1.81") | 14 (.55") | 122 (4.80") | 90 (3.54") | 41 (1.61") | 30 (1.18") | 5 (.20") |
| 49 | 46-49 (1.81"- 1.93") | 14 (.55") | 122 (4.80") | 90 (3.54") | 44 (1.73") | 30 (1.18") | 5 (.20") |
| 58 | 53-58 (2.09"- 2.28") | 14 (.55") | 142 (5.59") | 110 (4.33") | 52 (2.05") | 40 (1.57") | 5 (.20") |
| 61 | 58-61 (2.28"- 2.40") | 14 (.55") | 142 (5.59") | 110 (4.33") | 57 (2.24") | 40 (1.57") | 5 (.20") |
| 71 | 67-71 (2.64"- 2.80") | 14 (.55") | 152 (5.98") | 120 (4.72") | 66 (2.60") | 40 (1.57") | 5 (.20") |
| 77 | 73-77 (2.87"- 3.03") | 14 (.55") | 176 (6.93") | 136 (5.35") | 72 (2.83") | 40 (1.57") | 5 (.20") |
| 81 | 77-81 (3.03"- 3.19") | 18 (.71") | 184 (7.24") | 144 (5.67") | 76 (2.99") | 40 (1.57") | 5 (.20") |
| 91 | 86-91 (3.39"- 3.58") | 18 (.71") | 198 (7.80") | 158 (6.22") | 85 (3.35") | 40 (1.57") | 8 (.31") |
| 103 | 99-103 (3.90"- 4.06") | 18 (.71") | 214 (8.43") | 174 (6.85") | 98 (3.86") | 40 (1.57") | 8 (.31") |
| 109 | 105-109 (4.13"- 4.29") | 18 (.71") | 220 (8.66") | 180 (7.09") | 104 (4.09") | 40 (1.57") | 8 (.31") |
| 115 | 110-115 (4.33"- 4.53") | 18 (.71") | 226 (8.90") | 186 (7.32") | 109 (4.29") | 40 (1.57") | 8 (.31") |

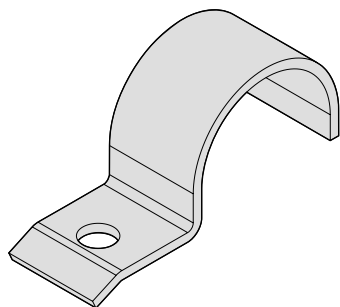


ESEMPIO ORDINAZIONE
DIN 1593 - 26 - G

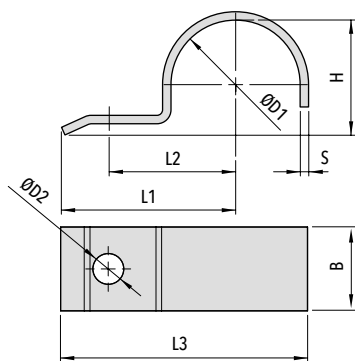


DIN 1596

FASCETTA LEGGERA



Codice DIN 1596 (Materiale G - Z - A2 - A4)



ESEMPIO ORDINAZIONE
DIN 1596 - 28,5 - A2

FASCETTE METALLICHE DIN

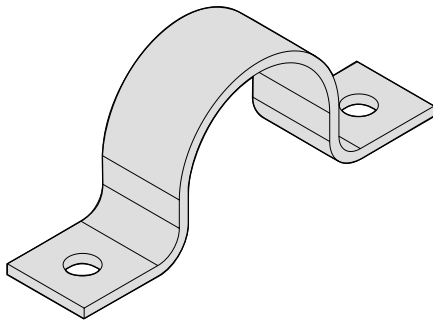
Dimensioni e Codici Ordinazione (mm/in)

| Codice ØD1 | Gamma diametri | ØD2 | L1 | L2 | L3 | H | B | S |
|------------|---------------------------|---------------|---------------|---------------|------------------|---------------|---------------|-------------|
| 7 | 5,5-7 (.22"- .28") | 6,6 (.26") | 26 (1.02") | 14 (.55") | 31,5 (1.24") | 5 (.20") | 16 (.63") | 2 (.08") |
| 9 | 7-9 (.28"- .35") | 6,6 (.26") | 28 (1.10") | 16 (.63") | 34,5 (1.36") | 6 (.24") | 16 (.63") | 2 (.08") |
| 13 | 9,5-13 (.39"- .51") | 6,6 (.26") | 30 (1.18") | 18 (.71") | 38,5 (1.52") | 9 (.35") | 20 (.79") | 2 (.08") |
| 15,5 | 13-15,5 (.51"- .61") | 6,6 (.26") | 32 (1.26") | 20 (.79") | 41,75 (1.64") | 12 (.47") | 20 (.79") | 2 (.08") |
| 19 | 15,5-19 (.61"- .75") | 6,6 (.26") | 34 (1.34") | 22 (.87") | 45,5 (1.79") | 15 (.59") | 20 (.79") | 2 (.08") |
| 23 | 20-23 (.79"- .91") | 9 (.35") | 43 (1.69") | 28 (1.10") | 57,5 (2.26") | 19 (.75") | 25 (.98") | 3 (.12") |
| 26 | 23-26 (.91"- 1.02") | 9 (.35") | 44 (1.73") | 29 (1.14") | 60 (2.36") | 22 (.87") | 25 (.98") | 3 (.12") |
| 28,5 | 26-28,5 (1.02"- 1.12") | 9 (.35") | 47 (1.85") | 32 (1.26") | 64,25 (2.53") | 24 (.94") | 25 (.98") | 3 (.12") |
| 31 | 28,5-31 (1.12"- 1.22") | 9 (.35") | 47 (1.85") | 32 (1.26") | 65,5 (2.58") | 27 (1.06") | 25 (.98") | 3 (.12") |
| 33 | 31-33 (1.22"- 1.30") | 9 (.35") | 56 (2.20") | 36 (1.42") | 75,5 (2.97") | 29 (1.14") | 25 (.98") | 3 (.12") |
| 36 | 33-36 (1.30"- 1.42") | 11 (.43") | 57 (2.24") | 40 (1.57") | 78 (3.07") | 32 (1.26") | 30 (1.18") | 3 (.12") |
| 39 | 36-39 (1.42"- 1.54") | 11 (.43") | 59 (2.32") | 42 (1.65") | 81,5 (3.21") | 34 (1.34") | 30 (1.18") | 3 (.12") |
| 43 | 39-43 (1.54"- 1.69") | 11 (.43") | 61 (2.40") | 44 (1.73") | 85,5 (3.37") | 38 (1.50") | 30 (1.18") | 3 (.12") |
| 46 | 43-46 (1.69"- 1.81") | 11 (.43") | 62 (2.44") | 45 (1.77") | 88 (3.46") | 41 (1.61") | 30 (1.18") | 3 (.12") |
| 49 | 46-49 (1.81"- 1.93") | 14 (.55") | 67 (2.64") | 48 (1.89") | 95,5 (3.76") | 44 (1.73") | 40 (1.57") | 4 (.16") |
| 52 | 49-52 (1.93"- 2.05") | 14 (.55") | 72 (2.83") | 53 (2.09") | 102 (4.02") | 47 (1.85") | 40 (1.57") | 4 (.16") |
| 58 | 53-58 (2.09"- 2.28") | 14 (.55") | 74 (2.99") | 55 (2.17") | 107 (4.21") | 52 (2.05") | 40 (1.57") | 4 (.16") |
| 61 | 58-61 (2.28"- 2.40") | 14 (.55") | 77 (3.03") | 58 (2.28") | 111,5 (4.39") | 56 (2.20") | 40 (1.57") | 4 (.16") |

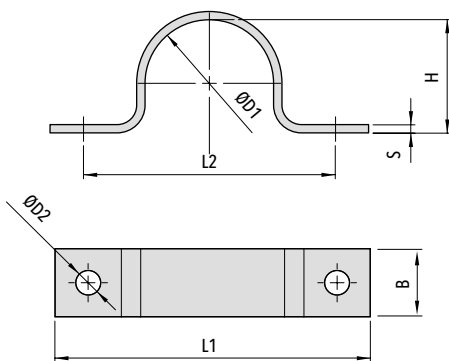


DIN 1597

FASCETTA LEGGERA



Codice DIN 1597 (Materiale G - Z - A2 - A4)



| Codice ØD1 | Gamma diametri | ØD2 | L1 | L2 | H | B | S |
|------------|---------------------------|---------------|----------------|----------------|---------------|---------------|---------------|
| 7 | 5,5-7 (.22"- .28") | 5,5 (.22") | 44 (1.73") | 28 (1.10") | 5 (.20") | 16 (.63") | 1,5 (.06") |
| 9 | 7-9 (.28"- .35") | 5,5 (.22") | 48 (1.89") | 32 (1.26") | 6 (.24") | 16 (.63") | 1,5 (.06") |
| 13 | 9,5-13 (.39"- .51") | 5,5 (.22") | 52 (2.05") | 36 (1.42") | 9 (.35") | 16 (.63") | 1,5 (.06") |
| 15,5 | 13-15,5 (.51"- .61") | 5,5 (.22") | 56 (2.20") | 40 (1.57") | 12 (.47") | 16 (.63") | 1,5 (.06") |
| 19 | 15,5-19 (.61"- .75") | 5,5 (.22") | 60 (2.36") | 44 (1.73") | 15 (.59") | 16 (.63") | 1,5 (.06") |
| 23 | 20-23 (.79"- .91") | 6,6 (.26") | 76 (2.99") | 56 (2.20") | 19 (.75") | 20 (.79") | 2 (.08") |
| 26 | 23-26 (.91"- 1.02") | 6,6 (.26") | 78 (3.07") | 58 (2.28") | 22 (.87") | 20 (.79") | 2 (.08") |
| 28,5 | 26-28,5 (1.02"- 1.12") | 6,6 (.26") | 84 (3.31") | 64 (2.52") | 24 (.94") | 20 (.79") | 2 (.08") |
| 31 | 28,5-31 (1.12"- 1.22") | 6,6 (.26") | 84 (3.31") | 64 (2.52") | 27 (1.06") | 20 (.79") | 2 (.08") |
| 33 | 31-33 (1.22"- 1.30") | 6,6 (.26") | 92 (3.62") | 72 (2.83") | 29 (1.14") | 20 (.79") | 2 (.08") |
| 36 | 33-36 (1.30"- 1.42") | 9 (.35") | 104 (4.09") | 80 (3.15") | 32 (1.26") | 25 (.98") | 3 (.12") |
| 39 | 36-39 (1.42"- 1.54") | 9 (.35") | 108 (4.25") | 84 (3.31") | 34 (1.34") | 25 (.98") | 3 (.12") |
| 43 | 39-43 (1.54"- 1.69") | 9 (.35") | 112 (4.41") | 88 (3.46") | 38 (1.50") | 25 (.98") | 3 (.12") |
| 46 | 43-46 (1.69"- 1.81") | 9 (.35") | 114 (4.49") | 90 (3.54") | 41 (1.61") | 25 (.98") | 3 (.12") |
| 49 | 46-49 (1.81"- 1.93") | 11 (.43") | 118 (4.65") | 90 (3.54") | 44 (1.73") | 30 (1.18") | 3 (.12") |
| 52 | 49-52 (1.93"- 2.05") | 11 (.43") | 134 (5.28") | 106 (4.17") | 47 (1.85") | 30 (1.18") | 3 (.12") |
| 58 | 53-58 (2.09"- 2.28") | 11 (.43") | 138 (5.43") | 110 (4.33") | 52 (2.05") | 30 (1.18") | 3 (.12") |
| 61 | 58-61 (2.28"- 2.40") | 11 (.43") | 138 (5.43") | 110 (4.33") | 56 (2.20") | 30 (1.18") | 3 (.12") |

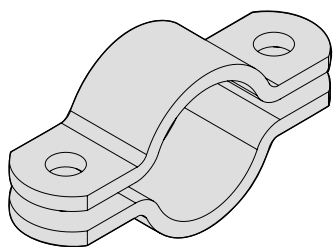
ESEMPIO ORDINAZIONE
DIN 1597 - 15,5 - A4



DIN 3567-A FASCETTA

(COPIA DI SEMICOLLARI)

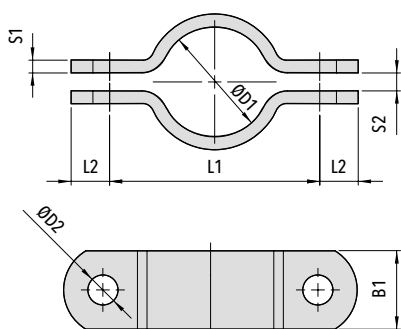
FASCETTE METALLICHE DIN



TIPO 20-521

144

Codice DIN 3567-A (Materiale G - Z - A2 - A4)



ESEMPIO ORDINAZIONE

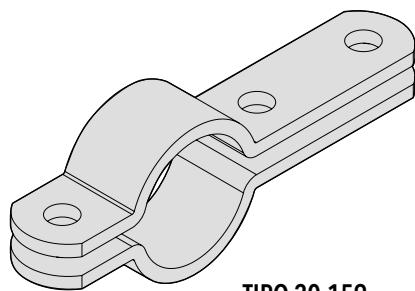
DIN 3567-A - 61 - G

| Codice ØD1 | Diametro Esterno | | L1 | L2 | S1 | S2 | ØD2 | B1 | Dado + Vite |
|---------------|------------------|--------|-----------------|---------------|--------------|--------------|----------------|---------------|--------------------------------------------------------|
| | mm | in | | | | | | | |
| 20 | 15 | 1/2" | 57 (2.24") | 15 (.59") | 5 (.20") | 7 (.28") | 11,5 (.45") | 30 (1.18") | M10x30 (3/8-16 UNCx1-1/4") M10 (3/8-16 UNC) |
| 22 | 15 | 1/2" | 59 (2.32") | 15 (.59") | 5 (.20") | 7 (.28") | 11,5 (.45") | 30 (1.18") | |
| 25 | 20 | 3/4" | 62 (2.44") | 15 (.59") | 5 (.20") | 7 (.28") | 11,5 (.45") | 30 (1.18") | |
| 27 | 20 | 3/4" | 66 (2.60") | 15 (.59") | 5 (.20") | 7 (.28") | 11,5 (.45") | 30 (1.18") | |
| 30 | 25 | 1" | 68 (2.68") | 15 (.59") | 5 (.20") | 7 (.28") | 11,5 (.45") | 30 (1.18") | |
| 34 | 25 | 1" | 72 (2.83") | 15 (.59") | 5 (.20") | 7 (.28") | 11,5 (.45") | 30 (1.18") | |
| 38 | 32 | 1.1/4" | 76 (2.99") | 15 (.59") | 5 (.20") | 7 (.28") | 11,5 (.45") | 30 (1.18") | |
| 43 | 32 | 1.1/4" | 82 (3.23") | 15 (.59") | 5 (.20") | 7 (.28") | 11,5 (.45") | 30 (1.18") | |
| 45 | 40 | 1.1/2" | 84 (3.31") | 15 (.59") | 5 (.20") | 7 (.28") | 11,5 (.45") | 30 (1.18") | |
| 49 | 40 | 1.1/2" | 88 (3.46") | 15 (.59") | 5 (.20") | 7 (.28") | 11,5 (.45") | 30 (1.18") | |
| 57 | 50 | 2" | 104 (4.09") | 18 (.71") | 6 (.24") | 9 (.35") | 14 (.55") | 40 (1.57") | M12x35 (7/16-14 UNCx1-3/8") M12 (7/16-14 UNC) |
| 61 | 50 | 2" | 108 (4.25") | 18 (.71") | 6 (.24") | 9 (.35") | 14 (.55") | 40 (1.57") | |
| 77 | 65 | 2.1/2" | 122 (4.80") | 18 (.71") | 6 (.24") | 9 (.35") | 14 (.55") | 40 (1.57") | |
| 89 | 80 | 3" | 136 (5.35") | 18 (.71") | 6 (.24") | 9 (.35") | 14 (.55") | 40 (1.57") | |
| 108 | 100 | 4" | 172 (6.77") | 24 (.94") | 8 (.31") | 11 (.43") | 18 (.71") | 50 (1.97") | M16x45 (5/8-11 UNCx1-3/4") M16 (5/8-11 UNC) |
| 115 | 100 | 4" | 178 (7.01") | 24 (.94") | 8 (.31") | 11 (.43") | 18 (.71") | 50 (1.97") | |
| 133 | 125 | 5" | 196 (7.72") | 24 (.94") | 8 (.31") | 11 (.43") | 18 (.71") | 50 (1.97") | |
| 140 | 125 | 5" | 204 (8.03") | 24 (.94") | 8 (.31") | 11 (.43") | 18 (.71") | 50 (1.97") | |
| 159 | 150 | 6" | 222 (8.74") | 24 (.94") | 8 (.31") | 11 (.43") | 18 (.71") | 50 (1.97") | |
| 169 | 150 | 6" | 232 (9.13") | 24 (.94") | 8 (.31") | 11 (.43") | 18 (.71") | 50 (1.97") | |
| 194 | 175 | 7" | 258 (10.16") | 24 (.94") | 8 (.31") | 11 (.43") | 18 (.71") | 50 (1.97") | |
| 216 | 200 | 8" | 280 (11.02") | 24 (.94") | 8 (.31") | 11 (.43") | 18 (.71") | 50 (1.97") | |
| 220 | 200 | 8" | 284 (11.18") | 24 (.94") | 8 (.31") | 11 (.43") | 18 (.71") | 50 (1.97") | |
| 267 | 250 | 10" | 342 (13.46") | 30 (1.18") | 8 (.31") | 14 (.55") | 23 (.91") | 60 (2.36") | |
| 273 | 250 | 10" | 348 (13.70") | 30 (1.18") | 8 (.31") | 14 (.55") | 23 (.91") | 60 (2.36") | M20x50 (3/4-10 UNCx2") M20 (3/4-10 UNC) |
| 318 | 300 | 12" | 392 (15.43") | 30 (1.18") | 8 (.31") | 14 (.55") | 23 (.91") | 60 (2.36") | |
| 324 | 300 | 12" | 398 (15.67") | 30 (1.18") | 8 (.31") | 14 (.55") | 23 (.91") | 60 (2.36") | |
| 356 | 350 | 14" | 432 (17") | 30 (1.18") | 8 (.31") | 14 (.55") | 23 (.91") | 60 (2.36") | |
| 368 | 350 | 14" | 444 (17.48") | 30 (1.18") | 8 (.31") | 14 (.55") | 23 (.91") | 60 (2.36") | |
| 407 | 400 | 16" | 498 (19.61") | 36 (1.42") | 10 (.39") | 18 (.71") | 27 (1.06") | 70 (2.76") | |
| 419 | 400 | 16" | 510 (10.08") | 36 (1.42") | 10 (.39") | 18 (.71") | 27 (1.06") | 70 (2.76") | M24x60 (7/8-9 UNCx2-3/8") M24 (7/8-9 UNC) |
| 458 | 450 | 18" | 550 (21.65") | 36 (1.42") | 10 (.39") | 18 (.71") | 27 (1.06") | 70 (2.76") | |
| 508 | 500 | 20" | 600 (23.62") | 36 (1.42") | 10 (.39") | 18 (.71") | 27 (1.06") | 70 (2.76") | |
| 521 | 500 | 20" | 614 (24.17") | 36 (1.42") | 10 (.39") | 18 (.71") | 27 (1.06") | 70 (2.76") | |



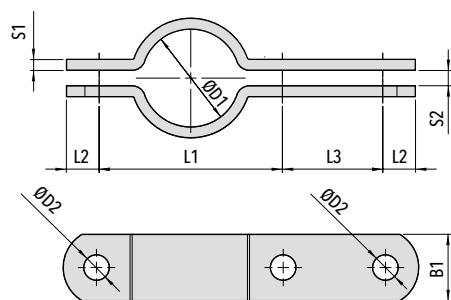
DIN 3567-B FASCETTA

(COPPIA DI SEMICOLLARI)



TIPO 20-159

Codice DIN 3567-B (Materiale G - Z - A2 - A4)



ESEMPIO ORDINAZIONE

DIN 3567-B - 30 - Z

| Codice ØD1 | Diametro Esterno | | L1 | L2 | L3 | S1 | S2 | ØD2 | B1 | Dado + Vite |
|---------------|------------------|--------|-----------------|---------------|----------------|--------------|--------------|----------------|---------------|--------------------------------------------------------|
| | mm | in | | | | | | | | |
| 20 | 15 | 1/2" | 57 (2.24") | 15 (.59") | 46 (1.81") | 5 (.20") | 7 (.28") | 11,5 (.45") | 30 (1.18") | M10x30 (3/8-16 UNCx1-1/4") M10 (3/8-16 UNC) |
| 22 | 15 | 1/2" | 59 (2.32") | 15 (.59") | 46 (1.81") | 5 (.20") | 7 (.28") | 11,5 (.45") | 30 (1.18") | |
| 25 | 20 | 3/4" | 62 (2.44") | 15 (.59") | 46 (1.81") | 5 (.20") | 7 (.28") | 11,5 (.45") | 30 (1.18") | |
| 27 | 20 | 3/4" | 66 (2.60") | 15 (.59") | 46 (1.81") | 5 (.20") | 7 (.28") | 11,5 (.45") | 30 (1.18") | |
| 30 | 25 | 1" | 68 (2.68") | 15 (.59") | 46 (1.81") | 5 (.20") | 7 (.28") | 11,5 (.45") | 30 (1.18") | |
| 34 | 25 | 1" | 72 (2.83") | 15 (.59") | 46 (1.81") | 5 (.20") | 7 (.28") | 11,5 (.45") | 30 (1.18") | |
| 38 | 32 | 1.1/4" | 76 (2.99") | 15 (.59") | 46 (1.81") | 5 (.20") | 7 (.28") | 11,5 (.45") | 30 (1.18") | |
| 43 | 32 | 1.1/4" | 82 (3.23") | 15 (.59") | 46 (1.81") | 5 (.20") | 7 (.28") | 11,5 (.45") | 30 (1.18") | |
| 45 | 40 | 1.1/2" | 84 (3.31") | 15 (.59") | 46 (1.81") | 5 (.20") | 7 (.28") | 11,5 (.45") | 30 (1.18") | |
| 49 | 40 | 1.1/2" | 88 (3.46") | 15 (.59") | 46 (1.81") | 5 (.20") | 7 (.28") | 11,5 (.45") | 30 (1.18") | |
| 57 | 50 | 2" | 104 (4.09") | 18 (.71") | 54 (2.13") | 6 (.24") | 9 (.35") | 14 (.55") | 40 (1.57") | M12x35 (7/16-14 UNCx1-3/8") M12 (7/16-14 UNC) |
| 61 | 50 | 2" | 108 (4.25") | 18 (.71") | 54 (2.13") | 6 (.24") | 9 (.35") | 14 (.55") | 40 (1.57") | |
| 77 | 65 | 2.1/2" | 122 (4.80") | 18 (.71") | 54 (2.13") | 6 (.24") | 9 (.35") | 14 (.55") | 40 (1.57") | |
| 89 | 80 | 3" | 136 (5.35") | 18 (.71") | 54 (2.13") | 6 (.24") | 9 (.35") | 14 (.55") | 40 (1.57") | |
| 108 | 100 | 4" | 172 (6.77") | 24 (.94") | 70 (2.76") | 8 (.31") | 11 (.43") | 18 (.71") | 50 (1.97") | |
| 115 | 100 | 4" | 178 (7.01") | 24 (.94") | 70 (2.76") | 8 (.31") | 11 (.43") | 18 (.71") | 50 (1.97") | M16x45 (5/8-11 UNCx1-3/4") M16 (5/8-11 UNC) |
| 133 | 125 | 5" | 196 (7.72") | 24 (.94") | 70 (2.76") | 8 (.31") | 11 (.43") | 18 (.71") | 50 (1.97") | |
| 140 | 125 | 5" | 204 (8.03") | 24 (.94") | 70 (2.76") | 8 (.31") | 11 (.43") | 18 (.71") | 50 (1.97") | |
| 159 | 150 | 6" | 222 (8.74") | 24 (.94") | 70 (2.76") | 8 (.31") | 11 (.43") | 18 (.71") | 50 (1.97") | |
| 169 | 150 | 6" | 232 (9.13") | 24 (.94") | 70 (2.76") | 8 (.31") | 11 (.43") | 18 (.71") | 50 (1.97") | |
| 194 | 175 | 7" | 258 (10.16") | 24 (.94") | 70 (2.76") | 8 (.31") | 11 (.43") | 18 (.71") | 50 (1.97") | |
| 216 | 200 | 8" | 280 (11.02") | 24 (.94") | 70 (2.76") | 8 (.31") | 11 (.43") | 18 (.71") | 50 (1.97") | |
| 220 | 200 | 8" | 284 (11.18") | 24 (.94") | 70 (2.76") | 8 (.31") | 11 (.43") | 18 (.71") | 50 (1.97") | |
| 267 | 250 | 10" | 342 (13.46") | 30 (1.18") | 86 (3.39") | 8 (.31") | 14 (.55") | 23 (.91") | 60 (2.36") | |
| 273 | 250 | 10" | 348 (13.70") | 30 (1.18") | 86 (3.39") | 8 (.31") | 14 (.55") | 23 (.91") | 60 (2.36") | |
| 318 | 300 | 12" | 392 (15.43") | 30 (1.18") | 86 (3.39") | 8 (.31") | 14 (.55") | 23 (.91") | 60 (2.36") | M20x50 (3/4-10 UNCx2") M20 (3/4-10 UNC) |
| 324 | 300 | 12" | 398 (15.67") | 30 (1.18") | 86 (3.39") | 8 (.31") | 14 (.55") | 23 (.91") | 60 (2.36") | |
| 356 | 350 | 14" | 432 (17") | 30 (1.18") | 86 (3.39") | 8 (.31") | 14 (.55") | 23 (.91") | 60 (2.36") | |
| 368 | 350 | 14" | 444 (17.48") | 30 (1.18") | 86 (3.39") | 8 (.31") | 14 (.55") | 23 (.91") | 60 (2.36") | |
| 407 | 400 | 16" | 498 (19.61") | 36 (1.42") | 104 (4.09") | 10 (.39") | 18 (.71") | 27 (1.06") | 70 (2.76") | |
| 419 | 400 | 16" | 510 (10.08") | 36 (1.42") | 104 (4.09") | 10 (.39") | 18 (.71") | 27 (1.06") | 70 (2.76") | M24x60 (7/8-9 UNCx2-3/8") M24 (7/8-9 UNC) |
| 458 | 450 | 18" | 550 (21.65") | 36 (1.42") | 104 (4.09") | 10 (.39") | 18 (.71") | 27 (1.06") | 70 (2.76") | |
| 508 | 500 | 20" | 600 (23.62") | 36 (1.42") | 104 (4.09") | 10 (.39") | 18 (.71") | 27 (1.06") | 70 (2.76") | |
| 521 | 500 | 20" | 614 (24.17") | 36 (1.42") | 104 (4.09") | 10 (.39") | 18 (.71") | 27 (1.06") | 70 (2.76") | |

FASCETTE METALLICHE DIN